

STANDENS

AN IMT COMPANY™

Trailer Axles and Components 7,000 LB.



**Genuine
Standen's Parts**

 **INGERSOLL AXLES**
AN IMT COMPANY™

MCGOY Brocs.

Distributor

DEXTER AXLE
Genuine Replacement Parts

AL-KO



ISO 9001
CERTIFIED

Top Quality Trailer Axles & Components

Standen's Warranty

IMT Standen's Limited Partnership warrants Axle products manufactured or supplied by us to be free from defects in material and workmanship under normal use and service for a period of one year from date of manufacture of the product.

We will repair or replace without charge, shipping included, or at our option give credit for components shown to be out of specifications or defective.

This replacement warranty is limited to parts only and does not include any labour charges, down time costs or consequential costs due to the defective product.

The warranty on our product is void when:

1. Axle capacity is exceeded.
2. The brakes are not adjusted before the trailer is put into use.
3. Products are not installed according to factory recommendations and maintained.
4. Proper maintenance is not carried out.
5. Our products are altered or changed from original factory specifications without our knowledge and consent.
6. Damage occurs due to destructive driving or road conditions.
7. The product sits idle longer than 3 months and is not pre-serviced before being out into service.

This limited Warranty applies to the first use purchaser of the product only.

This limited Warranty is the only Warranty offered by us and therefore no employees, agent, salesperson or other person has the authority to offer or make any other Warranty.

Axle Division Return Policy

AXLES CAN NOT BE RETURNED SPECIAL ORDER PARTS CAN NOT BE RETURNED

RETURNS ARE NOT ACCEPTED AFTER 30 DAYS OF PURCHASE DATE

There is no restocking fee associated with parts returned within 10 DAYS OF PURCHASE however parts returned after 10 days are subject to a 20% restocking fee.

A COPY OF THE ORIGINAL INVOICE MUST ACCOMPANY ALL RETURNS

ALL RETURNS MUST BE PREVIOUSLY APPROVED WITH AN RGA NO.

PARTS MUST BE RETURNED FREIGHT PREPAID

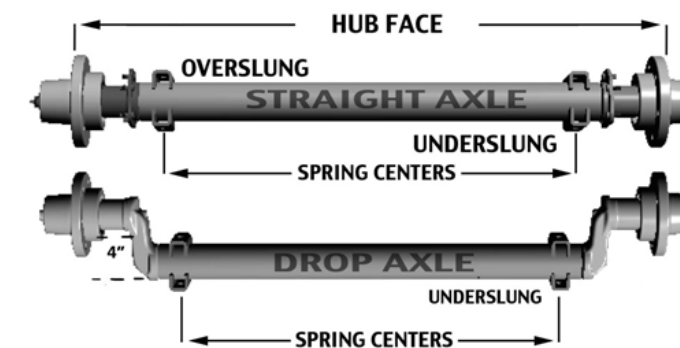
How to Measure an Axle

There are many ways to measure the length of an axle beam. The most accurate way to measure would be → **hub-face-to-hub-face** and **spring-center-to-spring-center** lengths.

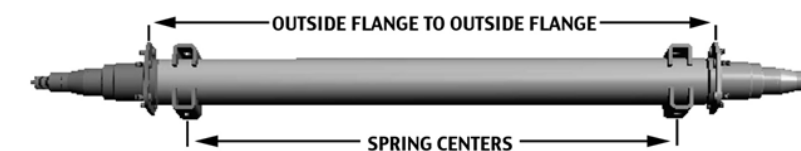
What is the hub face measurement? Hub face is the distance from outside of hub mounting face to outside of hub mounting face. The hub face is also known as the mounting surface where the wheel makes contact with the hub. (See straight axle reference diagram below)

The **spring centers** identify the position of the springs and mounting hardware, as well this should align with the mounting positions on the trailer frame rails.

Please note that the springs can be mounted above (overslung) or below (underslung) the axle. This will raise or lower the axle depending on the configuration.



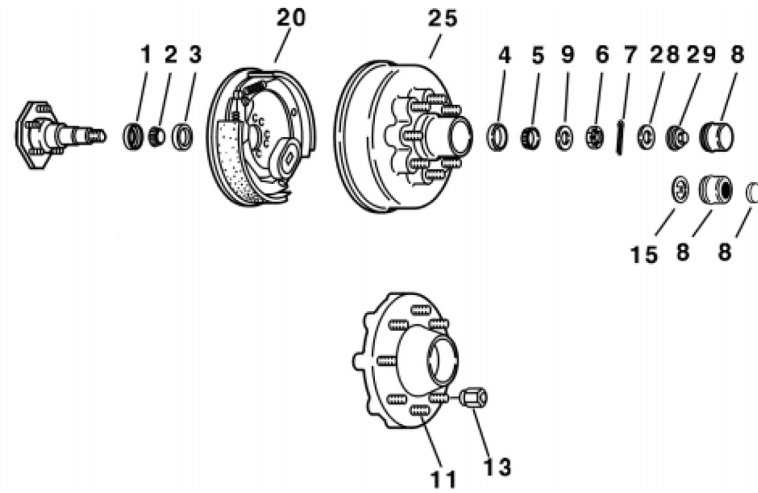
Alternatively - the flange face to flange face measurement can be provided which is measured from the outside of one brake flange to the outside of the opposite one (Where the brakes bolt on) as you see below.



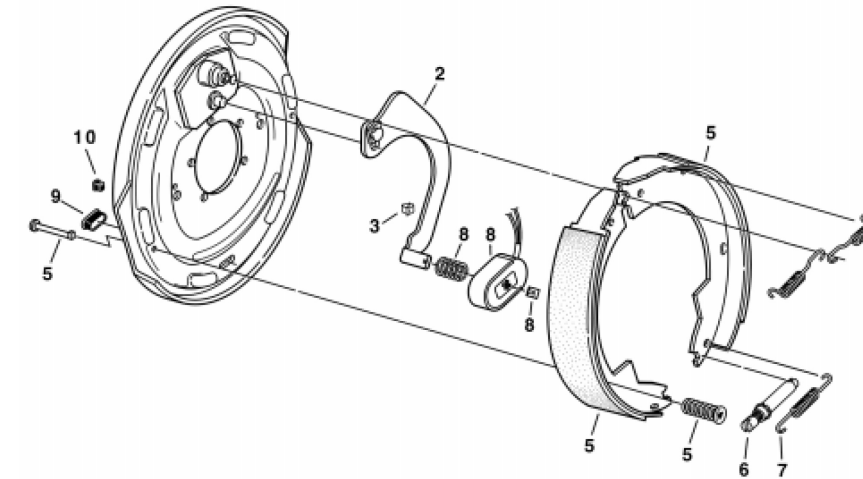
This length may be easy to obtain if you are replacing an axle, but it's important to note that this measurement is not the preferred method for determining which axle will best fit your trailer.

Hub face & spring center measurements are required before any order will be built.

**7,000 LB CAPACITY
S-70 - 865 AND UT HUB GROUP**



12 x 2" ELECTRIC BRAKES



STANDARD GREASE LUBE PARTS

Item	Part #	Description
	605 / 605-25 / 605-EZ	Bearing Kit – 1 Hub
1	SE-18EZ / SE-16	Grease Seal
2	25580	Inner Bearing Cone
3	25520	Inner Bearing Cup
4	14276	Outer Bearing Cup - 865 Hub
5	14125A	Outer Bearing Cone
6	821-3	Spindle Nut
7	880-1	Cotter Pin
8	1605	Grease Cap
8A	K1605A	Grease Cap for E-Z Lube
8B	85-1	E-Z Lube Rubber Plug
9	841-1	Spindle Washer
15	841-5	Tang Washer (E-Z Lube)

HUBS

Item	Part #	Description	Bolt Circle
25	9-138	Grease Hub & Drum w 1/2" Stud	8 on 6.50
25	9-138-916	Grease Hub & Drum w 9/16" Stud	8 on 6.50

STUDS & WHEEL NUTS

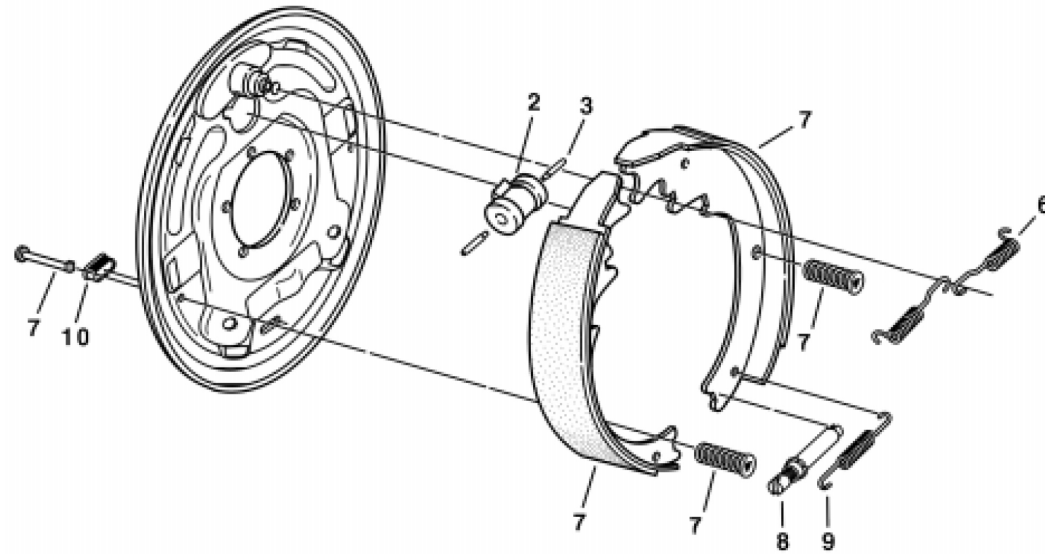
Item	Part #	Description
11	WS-112	1/2-20 Pressed Stud
11	WS-122	9/16-18 Pressed Stud
13	WN-2	1/2 Wheel Nut
13	WN-6	9/16 Wheel Nut
11	WS-119	9/16 X 2 1/2 Wheel Stud
11	WS-115	1/2 x 2 1/2 Wheel Stud



DXQ ELECTRIC BRAKES & COMPONENTS

Item	Part #	Qty/Brake	Description
	12-1219	1	LH Complete Brake Assembly
	12-1220	1	RH Complete Brake Assembly
2	47-107	1	LH Actuating Lever Arm Assembly
2	47-108	1	RH Actuating Lever Arm Assembly
3	27-5	2	Wire Clip
4,7,8A	71-363	1	Spring Kit
5	71-127	1	Shoe & Lining Kit containing:
		1	#040-044-00 Primary S&L
		1	#040-045-00 Secondary S&L
		2	#049-011-00 Shoe Hold Down Pin #2
		2	#046-077-00 Shoe Hold Down Spring
6 & 7	71-324	1	Adjuster Assembly
		1	Adjusting Screw Spring
8	71-125	1	Magnet Kit containing:
		1	#042-099-01 Magnet (white wire)
		1	#027-009-00 Magnet Clip
		1	#046-080-00 Magnet Spring
9	46-7	1	Plug
10	46-16	1	Wire Grommet

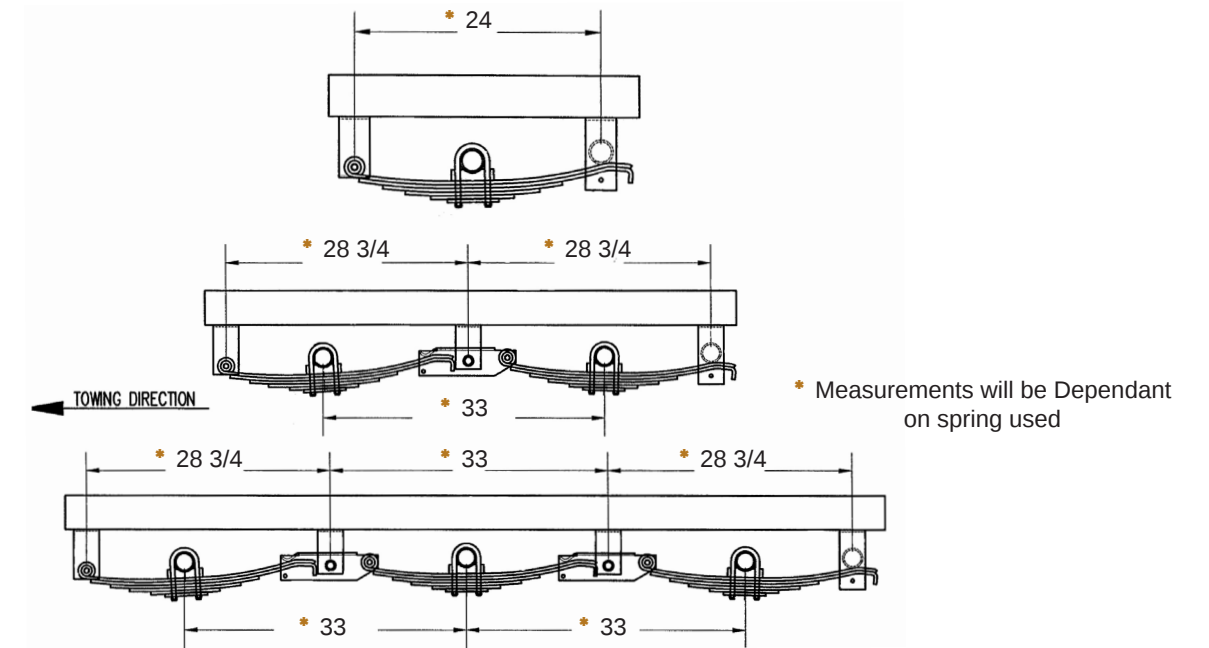
12 X 2" 7K Hydraulic Brakes



HYDRAULIC - 6K BRAKES & COMPONENTS

Item	Part #	Qty/Brake	Description
	13-1221	1	LH Brake Assembly Complete-Uni-Servo
	13-1222	1	RH Brake Assembly Complete-Uni-Servo
	13-1223	1	LH Brake Cylinder Complete-Duo-Servo
	13-1224	1	RH Brake Cylinder Complete-Duo-Servo
2	54-64	1	LH Brake Cylinder Uni-Servo
2	54-65	1	RH Brake Cylinder Uni-Servo
2	54-62	1	LH Brake Cylinder Duo-Servo
2	54-63	1	RH Brake Cylinder Duo-Servo
3	54-60	1 or 2	Push Rod
6	46-101	2	Retractor Spring
7	71-268	1	Shoe & Lining Kit containing:
		1	#040-219-00 Primary Shoe & Lining
		1	#040-218-02 Secondary Shoe & Lining
		2	#046-077-00 Shoe Hold Down Spring
		2	#049-012-00 Shoe Hold Down Pin #4
8 & 9	71-396	1	Adjuster Assembly
		1	Adjusting Screw Spring
10	46-7	1	Plug

LEAF SPRING APPLICATION INFORMATION 33" SPREAD SLIPPER SPRING SUSPENSION



SLIPPER SPRINGS

Spring

Part #	Capacity/Spring
120-3T3	3500 lbs
140-3T3	4000 lbs

Single Hanger Kits

Part #570-0-HD

Part #	Capacity/Spring
28-001-58HD	Front Hanger
30-028HD	Rear Hanger
801-2	5/8" Suspension Bolt
801-4	9/16 X 3 1/2" Bolt
820-4	9/16" Lock Nut
820-5	5/8" Lock Nut

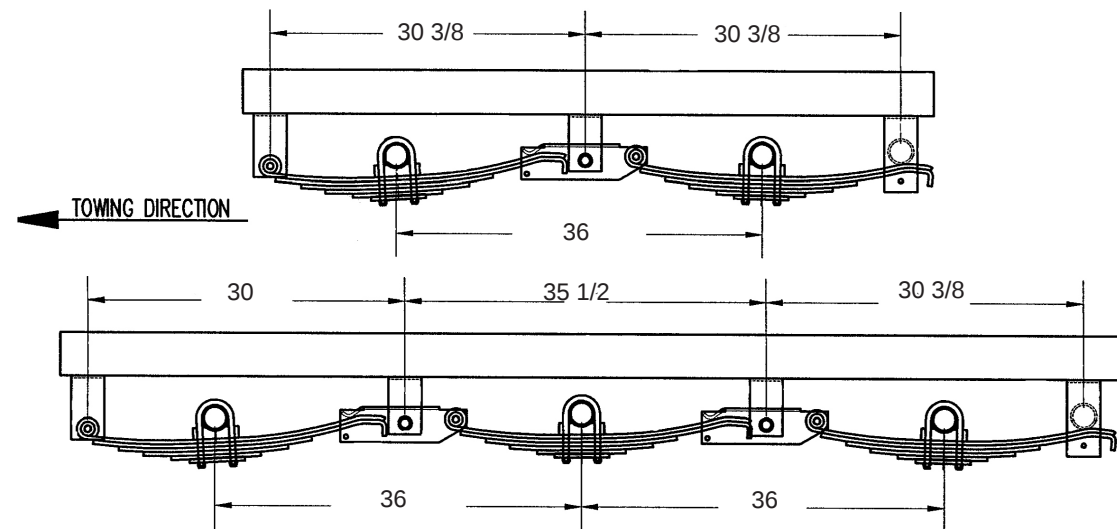
Tandem & Triple Hanger Kits

571-33-HD / 572-33-HD 33" Axle Spread

Part #	Capacity/Spring
28-001-58HD	Front Hanger
29-001HD	Centre Hanger
30-028HD	Rear Hanger
541-3-58	Equalizer
6-111	7/8" Lock Nut
7-1-1	5/8 Lock Nut/7/8" Equalizer Bolt
801-2	5/8" Suspension Bolt - Spring Eye
801-4	9/16" X 3 1/2" Suspension Bolt
820-4	9/16" Lock Nut
820-5	5/8" Lock Nut

Some combinations of hangers and spring mounting may result in insufficient bump clearance.

LEAF SPRING APPLICATION INFORMATION
36" SPREAD SLIPPER SPRING SUSPENSION



SLIPPER SPRINGS

Tandem & Triple Hanger Kits
#571-36-HD / 572-36-HD
36" Axle Spread

Part #	Description
28-001-58HD	Front Hanger
29-001HD	Centre Hanger
30-028HD	Rear Hanger
541-1	Equalizer (For Slipper Spring)
6-111	7/8" Lock Nut
7-1-1	7/8" Equalizer Bolt
800-1	3/8" x 3 1/2" Bolt
801-2	5/8" Suspension Bolt - Spring Eye
801-4	9/16" X 3 1/2" Suspension Bolt
820-1	3/8" Nylock Plated
820-4	9/16" Lock Nut
820-5	5/8" Lock Nut

Some combinations of hangers and spring mounting may result in sufficient bump clearance

WHEELS

Part #	Rim Size	Bolt Circle	Offset	Capacity & psi	Type
15-156-1	15X 6JJ	6 on 5.50		0 2600 @ 75psi	Eight Spoke
16-156-1	15X 6JJ	6 on 5.50		0 2600 @ 75psi	Mini-Mod
15-166-6-1	16X 6K	6 on 5.50		0 3040 @ 80psi	Eight Spoke
16-166-6-1	16X 6K	6 on 5.50		0 3040 @ 80psi	Mini-Mod
15-166-8-1	16X 6K	8 on 6.50		0 3315 @ 80psi	Eight Spoke
16-166-8-1	16X 6K	8 on 6.50	.50in	3315 @ 80psi	Mini-Mod

WHEELS & TIRE ASSEMBLIES

Part #	Rim Size	Bolt Circle	Capacity & psi	Load Range	Type
25-23580E16-6	16"	6 on 5.50	0 3200 @ 80psi	E	Eight Spoke
25-23580E16-8	16"	8 on 6.50	0 3520 @ 80psi	E	Eight Spoke
25-23585D16-6	16"	6 on 5.50	0 3040 @ 65psi	D	Eight Spoke
25-23585E16-8	16"	8 on 6.50	0 3640 @ 80psi	E	Eight Spoke
26-23580E16-6	16"	6 on 5.50	0 3200 @ 80psi	E	Modular
26-23585E16-8	16"	8 on 6.50	0 3520 @ 80psi	E	Modular
26-23585D16-6	16"	6 on 5.50	0 3040 @ 65psi	D	Modular
26-23585E16-8	16"	8 on 6.50	0 3640 @ 80psi	E	Modular
26-23585F16-8	16"	8 on 6.50	0 3960 @ 95psi	F	Modular
27-23585E16-8	16"	8 on 6.50	0 3640 @ 80psi	E	Aluminum
27-23585F16-8	16"	8 on 6.50	0 3960 @ 95psi	F	Aluminum



STANDENS

AN IMT COMPANY™

CONTACT NUMBERS



HEAD OFFICE & MAIN PLANT

1222 - 58th Avenue S.E.
P.O. Box 67, Station "T"
Calgary, Alberta
Canada T2H 2G7

Toll Free: 1-800-663-7800
Phone: (403) 258-7800
Fax: (403) 258-7897
Toll Free Fax: 1-866-258-7897

www.standens.com

AXLE DIVISION

5760 - 11th Street SE
Calgary, AB
Canada T2H 2G7
Phone: (403) 258-7896
Fax: (403) 258-7803
axleparts@standens.com

DISTRIBUTION CENTRES

EDMONTON
18922 - 111 Avenue NW
Edmonton, AB
Canada T5S 0B6
Phone: (780) 430-7130
Fax: (780) 430-7037

VANCOUVER
Unit B 19372 - 94 Avenue
Surrey, BC
Canada V4N 4E4
Toll Free: 1-800-665-9633
Phone: (604) 888-7287
Fax: (604) 888-7260

LONGUEUIL
430 rue Jean-Neveu
Longueuil, Quebec
Canada J4G 1N8
Toll Free: 1-866-674-0855
Phone: (450) 674-0855
Fax: (866) 674-0938

DISTRIBUTION CENTRES

TORONTO
1238 Aimco Blvd.
Mississauga, Ont.
Canada L4W 1B2
Toll Free: 1-800-567-7800
Phone: (905) 625-0341
Fax: (905) 625-2551

RANCHO CUCAMONGA
9881 - 6 Street, Suite 205
Rancho Cucamonga, CA
U.S.A. 91730-5700
Phone: (909) 466-5655
Fax: (909) 466-0060

INDIANA
6450 English Avenue
Indianapolis, IN
U.S.A. 46219
Toll Free: 1-800-851-2254
Phone: (317) 423-1471
Fax: (317) 423-1925

SERVICE CENTRE

1222 - 58th Avenue S.E.
P.O. Box 67, Station "T"
Calgary, Alberta
Canada T2H 2G7
Toll Free: 1-800-663-7800
Phone: (403) 258-7800
Fax: (403) 258-7897
Toll Free Fax: 1-866-258-7897

CHINA PLANT

Standen's L & H
(Xuzhou) Co. Ltd.
28 Jinshan Road
Xuzhou Economic and
Development Zone
Xuzhou, Jiangsu 221004
Phone: 86-516-8798-7958
Fax: 86-516-8798-7900